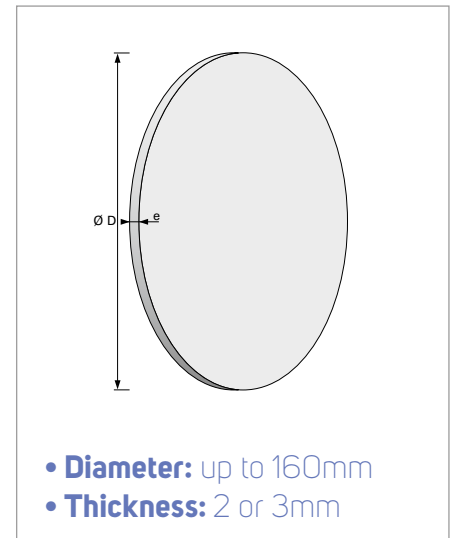


# Porous Stainless Steel Discs (IC)

PORAL® standard products are covering a wide range of applications.  
 Customized design available upon request.



## Material

Type 316 L construction per default,  
 304 L, Inconel 600, Monel 400 or Hastelloy on request.

## Features & Benefits

- Good durability against most aggressive fluids,
- Usable over a wide range of temperatures,
- High mechanical resistance,
- Regenerable through backflush, chemical, thermal or ultrasonic treatment.

## Retention rates

8 PORAL® grades available - see PORAL® grades definition table for detailed information.  
 In liquids, retention at 98% of solid particles from 3,2 µm (PORAL® grade 03) to 90 µm (PORAL® grade 40).  
 In gases, retention at 98% of solid particles from 0,2 µm (PORAL® grade 03) to 8 µm (PORAL® grade 40).

## Designation / ordering guide

| DISCS     |                          |                    |                           |
|-----------|--------------------------|--------------------|---------------------------|
| TYPE      | "Ø D" Disc diameter [mm] | "e" Thickness [mm] | "S" filtration area [cm²] |
| IC 10.20  | 10                       | 2                  | 0,78                      |
| IC 10.30  |                          | 3                  |                           |
| IC 21.20  | 21                       | 2                  | 3,5                       |
| IC 21.30  |                          | 3                  |                           |
| IC 30.20  | 30                       | 2                  | 7                         |
| IC 30.30  |                          | 3                  |                           |
| IC 42.20  | 42                       | 2                  | 14                        |
| IC 42.30  |                          | 3                  |                           |
| IC 60.20  | 60                       | 2                  | 28                        |
| IC 60.30  |                          | 3                  |                           |
| IC 90.20  | 90                       | 2                  | 63,5                      |
| IC 90.30  |                          | 3                  |                           |
| IC 114.20 | 114                      | 2                  | 102                       |
| IC 114.30 |                          | 3                  |                           |

Customized design available upon request: send your requirement to [poral.sales@poral.fr](mailto:poral.sales@poral.fr)

PORAL® standard designation: Item - thickness (x10) - grade. Ex.: IC 114.20.05