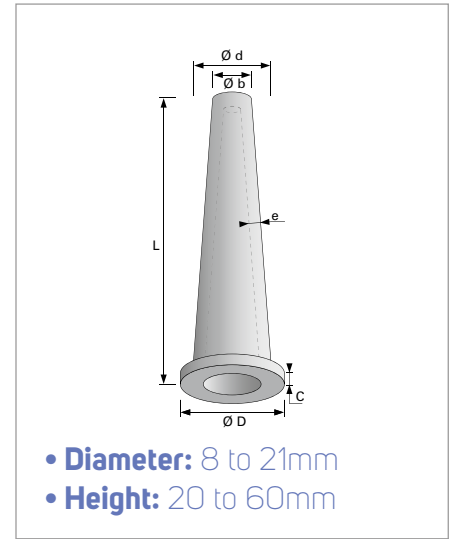


Porous Stainless Steel Uniaxial Tubes (IP)

PORAL® standard products are covering a wide range of applications.
Customized design available upon request.



Material

Type 316 L construction per default,
304 L, Inconel 600, Monel 400 or Hastelloy on request.

Features & Benefits

Mainly used for in-time filtration offering larger filtration surface in small diameters.
To be clamped or inserted in PPL assembly.

Retention rates

2 PORAL® standard grades available: 05 & 20 - see PORAL® grades definition table for detailed information.
In liquids, retention at 98% of solid particles from 5,9 µm (PORAL® grade 05) to 40 µm (PORAL® grade 20).
In gases, retention at 98% of solid particles from 0,4 µm (PORAL® grade 05) to 3,2 µm (PORAL® grade 20).

Designation / ordering guide

| CONES | | | | | | | |
|--------|--------------------------|-----------------------|----------------------------|-------------------------|---------------------------|--------------------------|--|
| TYPE | "Ø d" Base diameter [mm] | "L" Total length [mm] | "Ø D" Flange diameter [mm] | "e" Wall thickness [mm] | "C" Flange thickness [mm] | "Ø b" Apex diameter [mm] | "S" filtration area [cm ²] |
| ICN 8 | 8 | 20 | 13 | 1,5 | 2,5 | 1 | 1 |
| ICN 12 | 12 | 32 | 17 | 2 | 2,5 | 2 | 5 |
| ICN 15 | 15 | 41 | 21 | 2 | 3 | 2 | 10 |
| ICN 21 | 21 | 60 | 27 | 2,5 | 3 | 2,8 | 20 |

Customized design available upon request: send your requirement to poral.sales@poral.fr

PORAL® standard designation: Item - grade. Ex.: ICN 8.20