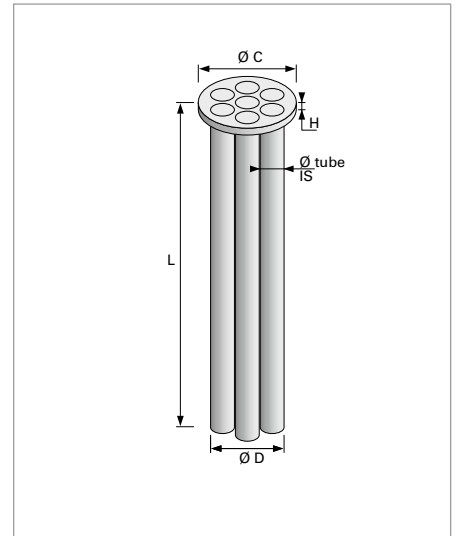


# Porous Stainless Steel Multi Cartridges (CFI)

PORAL standard products are covering a wide range of applications.  
Customized design available upon request.



## Material

316 L construction per default,  
304 L / Inconel 600 / Monel 400 or Hastelloy on request.

## Features & Benefits

Mainly used for filtering gases at high flow rate with a low pressure drop or in reduce spaces.  
Flange Thickness = 10mm

## Retention rates

8 PORAL grades available - see PORAL grades definition table for detailed information.  
In liquids, retention at 98% of solid particles from 3,2 µm (PORAL grade O3) to 90 µm (PORAL grade 40).  
In gases, retention at 98% of solid particles from 0,2 µm (PORAL grade O3) to 8 µm (PORAL grade 40).

## Designation / ordering guide

CARTRIDGES CFI						
TYPE	Ø D [mm]	Length L [mm]	Ø TUBE IS	Nbr TUBE IS	Ø C [mm]	Filtration surface S [cm <sup>2</sup> ]
CFI 8.60	80	600	35	3	100	1800
CFI 8.90	80	900	35	3	100	2700
CFI 10.60	100	600	30	7	120	3500
CFI 10.90	100	900	30	7	120	5300

Customized design available upon request: send your requirement to [poral.sales@poral.fr](mailto:poral.sales@poral.fr)

PORAL standard designation: Item - grade. Ex.: CFI 890.40