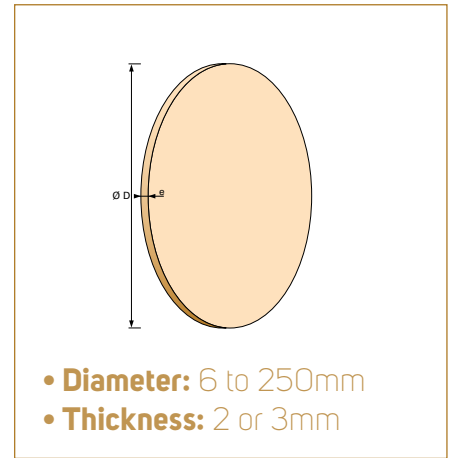


Porous Bronze Discs (BC)

PORAL® standard products are covering a wide range of applications.
Customized design available upon request.



Material

Bronze (89% Cu /11% Sn) construction.

Features & Benefits

- Good durability against most aggressive fluids,
- Usable over a wide range of temperatures,
- High mechanical resistance,
- Regenerable through backflush, chemical, thermal or ultrasonic treatment.

Retention rates

9 PORAL® grades available - see PORAL® grades definition table for detailed information.
In liquids, retention at 98% of solid particles from 3,8 µm (PORAL® grade O3) to 190 µm (PORAL® grade 60).
In gases, retention at 98% of solid particles from 0,7 µm (PORAL® grade O3) to 13 µm (PORAL® grade 60).

Designation / ordering guide

DISCS			
TYPE	"Ø D" Disc diameter [mm]	"e" Wall thickness [mm]	"S" filtration area [cm ²]
BC 6.20	6	2	0,3
BC 6.30		3	
BC 13.20	13	2	1,3
BC 13.30		3	
BC 21.20	21	2	3,5
BC 21.30		3	
BC 30.20	30	2	7
BC 30.30		3	
BC 42.20	42	2	14
BC 42.30		3	
BC 60.20	60	2	28
BC 60.30		3	
BC 90.20	90	2	63,5
BC 90.30		3	
BC 114.20	114	2	102
BC 114.30		3	
BC 250.20	250	2	450
BC 250.30		3	

Customized design available upon request: send your requirement to poral.sales@poral.fr

PORAL® standard designation: Item - thickness (x10) - grade. Ex.: BC 114.20.05